




'Santa Flies' 2024 Runabouts to You all Year Long!



We Really Hit It Out of the Park! Santa Flies'em in from the hills of OR.



**Best Time Ever to Buy a Runabout!
Super 2024 Runabout Sale Prices!
Call Today!**

- Only Runabouts have 'Salted-Walks Protection!' Twenty Year Warranty '0' Rust Resin Wheels. Alum. Handlebar, Parking Brake, Drum Brake, Brake Lever, Seat Brackets & Bottle Cage. Seat Knobs are Stainless Steel. Metallic Silver Double-Coat Powder Painted Steel Frame, baked on at 400°F.
- Only Runabouts have Super Twenty Year Warranty Airless Tires. Ends 'Flat Tire' Problems Forever!
- Only Runabouts have Awesome Rear Wheel Drum Brakes! A 'Must' for your Precious Cargo! Nothing Runs & Runs & Stops like a Runabout! Fully Loaded 8-Seater Pushses with One Hand!

Runabouts Grow with your Daycare!

**• Best Stroller Investment for Daycares!
"Truly Costs You Less in the Long Run!"**

**MT.TOP LABORATORY IN THE HILLS OF OREGON!
RUNABOUTS ARE BROUGHT TO 'LIFE' NIGHTLY!
www.Runabouts.US 'LABORATORY ANIMATION'**



**2024 RUNABOUTS HAVE LIFETIME WARRANTY
ON FRAME, RESIN WHEELS & AIRLESS TIRES!
THEY TRULY COST YOU LESS IN THE LONG RUN!**

BUILDING THE BEST STROLLERS: 30+ YRS!



STATE
OF THE
ART 2024
RUNABOUTS
HAVE 3,4,5 &
8 SEATER MODELS.

www.runabouts.US
'Our Factory Animation'

Down our Mt. Top Winding Road is Nike's World Headquarters. Helps us think outside the box!

2024 'STAGECOACH'

No.1 in Safety! A Must' for your Precious Cargo!



18" Rear Resin
Wheels & Tires /
20 Year Warranty!

20 Year
Warranty Frame.
Twin Drum Brakes!

- Goes Where You Want to Go!
- Kids Love Stadium Seating!
- Hand welded steel frame.
- Can only build 2-3 frames/day!
- Easy to Load and Unload!
- No-Rust Aluminum Parts:
8 seat brackets, handlebar/
2 clamps, foot-parking brake,
2 drum brakes, 2 brake levers.
Stainless Steel: 16 seat knobs.



Anti-Tip
Tube
4" Caster

'2024' Runabouts: Years ahead of the Competition!



8-SEATER WITH 2ND ROW OF SEATS REMOVED.

'MAGIC' IN THE HILLS OF OREGON!



2024 RUNABOUT: BUILT LIKE NO OTHER STROLLER!

- WE START WITH 20 FT. LENGTHS OF PREMIUM STEEL TUBING
- OUR 2 CRAFTSMEN CAN HAND-BUILD 2-3 FRAMES/DAY
- VIEW VIDEO... YOUTUBE: RUNABOUT STROLLER FACTORY

'AMAZING 2X2 CUBE... OUR BEST HANDLING RUNABOUT!'

DAYCARE KARTS:

Looking for a new Kart for your Daycare? How many of these Stroller Problems have your Strollers had?

- hard to push... difficult to maneuver & steer...
- brakes don't stop well when going down hills...
- frame actually 'flexes' when the kart is loaded...
- front wheel shakes & wobbles... too heavy...
- wheels have fallen off... kart tipped over...
- always needing something repaired or adjusted!

We did not make these problems up. They are real complaints we've heard from Moms and Daycares! They switched to Runabouts...End of Problems!

Roger Berg and Frank Scott developed Runabouts in 1988. Together, they worked at G.M. Design Staff for 49 years. Roger in Advanced Product Development & Frank in the Advanced Sculpture Studio. They designed and built the Sky Bike shown for Disney's TV Movie, 'Ask Max'. The Bike was the Star of the Show! It's twin air cylinders propelled it over many objects like the High School goal posts! It was a Hit! We have the Bike.



Runabouts: When you want 'Zero' Kart Problems!

BUILT BARN: 1988.



RUNABOUT 2-STORY FACTORY ↑ ↓ WELDING 8-SEATER FRAME

WELDED STEEL FRAME

- We use thin wall welded steel tubing as well as the tougher drawn over mandrel tubing for the high stress areas: axle and handlebar tubes.
- Precision welding fixture: Note how the frame tubes are positioned & secured.
- Steel weldments: Archer's Precision Sheetmetal in Tigard, Oregon make our heavy duty sheetmetal parts shown in the photo.
- Toughest Baby Stroller Frames on the Planet! We have never ever had a Frame break in 30+ yrs.
- Welded by hand. One at a time. Shop can only make 2 to 3 frames each day.



Nothing Runs & Runs & Stops Like a Runabout!

24 TRIPLES/12 QUADS



36 STEEL FRAMES GOING TO POWDER PAINT...

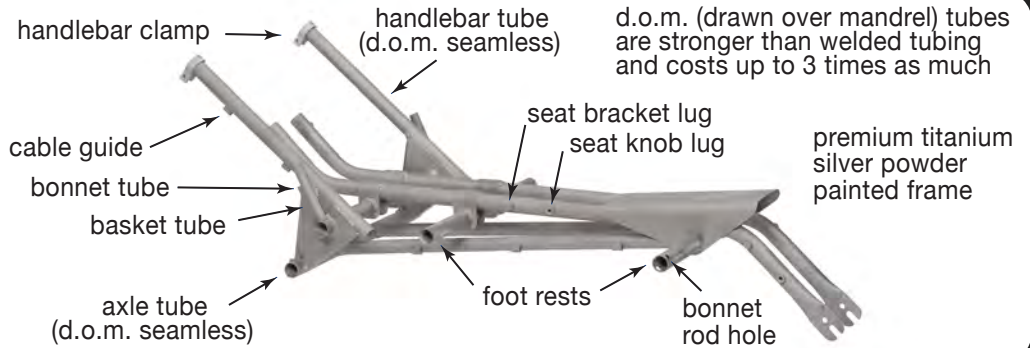
LAST WEEK'S BUILD OF 24 TRIPLES

2024 TRIPLES!

Built Tough! Not 'One' broken frame in 30+ yrs.

WELDED STEEL FRAME

- Frame is thinwall steel tubing with many steel weldments for strength.
- Welded by hand, one at a time. Can only make 2-3 frames per day.
- Frames are hot-washed before powder painting.



POWDER PAINTED...

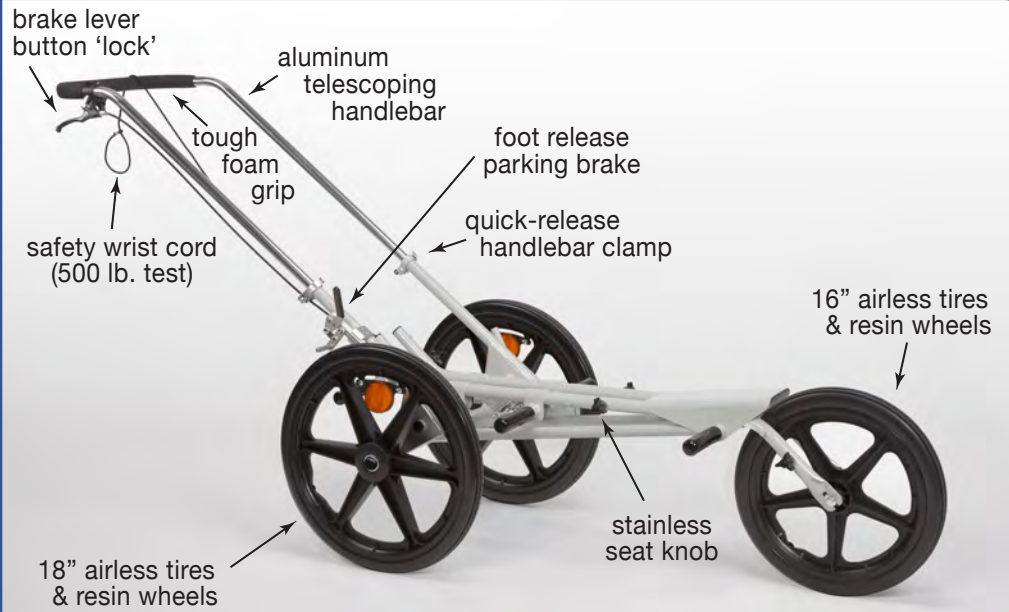
- Polyester Resin is fused to the frame at 400°F.

TOUGH MOLDED PARTS

- Seats, headrests, grab bars, fenders & wheels are made of co-polymer automotvie grade resin.

SOFT-RIDE AIRLESS TIRES

- Go where you want to go!
- New 16" front wheels & 18" rear resin wheels.
- Lifetime airless tires. Great in snow/sand etc.
- Reflectors • Precision sealed bearing hubs.



ADJUSTABLE SEATS

- Each seat is bolted on with 2 stainless steel knobs. Won't rust.
- Adjusts from a 10° seat back angle to a 30° angle.
- 30° angle for newborns. Padded support for head is recommended.
- Seats have a 3 point harness plus lap belt.
- Padded seat inserts.
- Snap-on grab bars.
- Seat is good til child is too big to slip into it. Usually 60 lbs. or 27 kgs.



Balanced Technology™ Frame/Sportscar Handling!

NEWBORNS-5YRS.

Only Stroller You'll Need for Your Family!

“Truly Costs You Less in the Long Run!”*

- *1. Typical Family buys 3 Strollers to raise their Kids! Ouch!
- 2. They could have bought a Runabout for the same money!
- 5. A Runabout Holds its Value far better than any Stroller!
- 6. Many have 'sold' for Up to 70% of what they paid! Kool!
- 7. Runabouts last over 20 years!



All 'Inline' Runabouts are only 24" wide.
Runabout Seats have 20° of adjustment.
Secured with 2 stainless steel knobs.
Unbreakable Seats! Good til your Kids
out grow them @ 55lbs. to 60 lbs.
2-Seater fits in most
SUV's & Minivans.

Reclined Rear Seat has Infant Head Support for a Newborn. Seat angle is same as infant car seats.

2024 Super Triple

**BALANCED FRAME
TECHNOLOGY!™ REAR
WHEELS CARRY MOST
OF THE WEIGHT.**

**PUSHES WITH ONE
FINGER ON A LEVEL
SIDEWALK. STEERS
LIKE A SPORTSCAR!**



2024 Runabout Strollers!

Half the weight of many multiple seat Strollers!

True or False Quiz*

1. Runners' World wrote: "Handles Like a Fine Tuned Race Car".
2. Runabouts are made: Wooded Mt. Top barn in Oregon since 1988.
3. Runabouts are made: One at a time. Tough welded steel frame/ lifetime warranty.
4. Runabout production: Only 2-3 Runabouts are made each day.
5. Runabout designers: Spent 49 yrs. at G. M.
6. Runabout 8-Seater: Grows with Daycare! Over 10 Seat Combos.
7. Runabout built a Ten Seater for an Indiana daycare: Guinness World Record!
8. Las Vegas Dr. holds Guinness World Record: Completing a Marathon pushing 5 Kids in our Quint!
9. Rear Drum Brakes on all models! Another first on the Planet.
10. Optional Rock & Roll[®] Hub: Uses 4 bearings.
11. 'Special Needs' Karts: 100# rated 'Fun' seats! Batman, Spiderman...
12. Refer a Customer: \$20 Commission/sale.
13. Owning a Runabout: It's like a Money Tree!

*ALL THE QUESTIONS ARE TRUE!



Fits in some Minivans... Car Carrier available.



Most popular Runabout. Car Carrier available.

Built in a wooded mountain top factory in Aloha, Oregon since 1988. Hand crafted...one at a time. We can only make 2-3 per day. We are introducing 2024 Resin Wheel Runabouts. Features 'No Swivel' front wheels. Swivel wheels 'Go where they want to go!' You have to 'steer' all the time! Runabout frames have 'Balanced Design'[™]. "Easy to Steer!"

2024 2x2 CUBE / 5-SEATER

Features Stadium Seating™ Kids Love the 'High' Seating! They can pretend they're Riding on a Stagecoach!

Easier for Caregivers to Load & Unload the Kiddies.



Optional Sun Canopy & Velcro-On Side Panels.

Quick-Release Nylon Basket.

30.5" wide, 3 ft. wide doors...No Problem.

Rear Wheel Drum Brake!



Rear Wheel Drum Brake!

Car Carrier & Nylon Cover Available for Transporting.

2024 CUBE: #1 'HANDLING!' QUINT: #2 'SALES!'

2024 4x6x8-SEATER!

- Super Dual Rear Wheel Drum Brakes. Stops loaded Kart fast and smooth! Like automotive ABS brakes.
- Resin Wheels
- Airless Tires
- Wheelchair Parking Brake.
- 4" Caster Anti-Tip Tube. Makes sharp turning very easy!
- Converts to a 6-Seater!



- Only 30.5" wide. Goes thru 3 foot doors!
- Install number of Seats you need!

"It's the Stroller that Grows with your Daycare!"

Loaded 8-Seater pushes with 1-Hand!

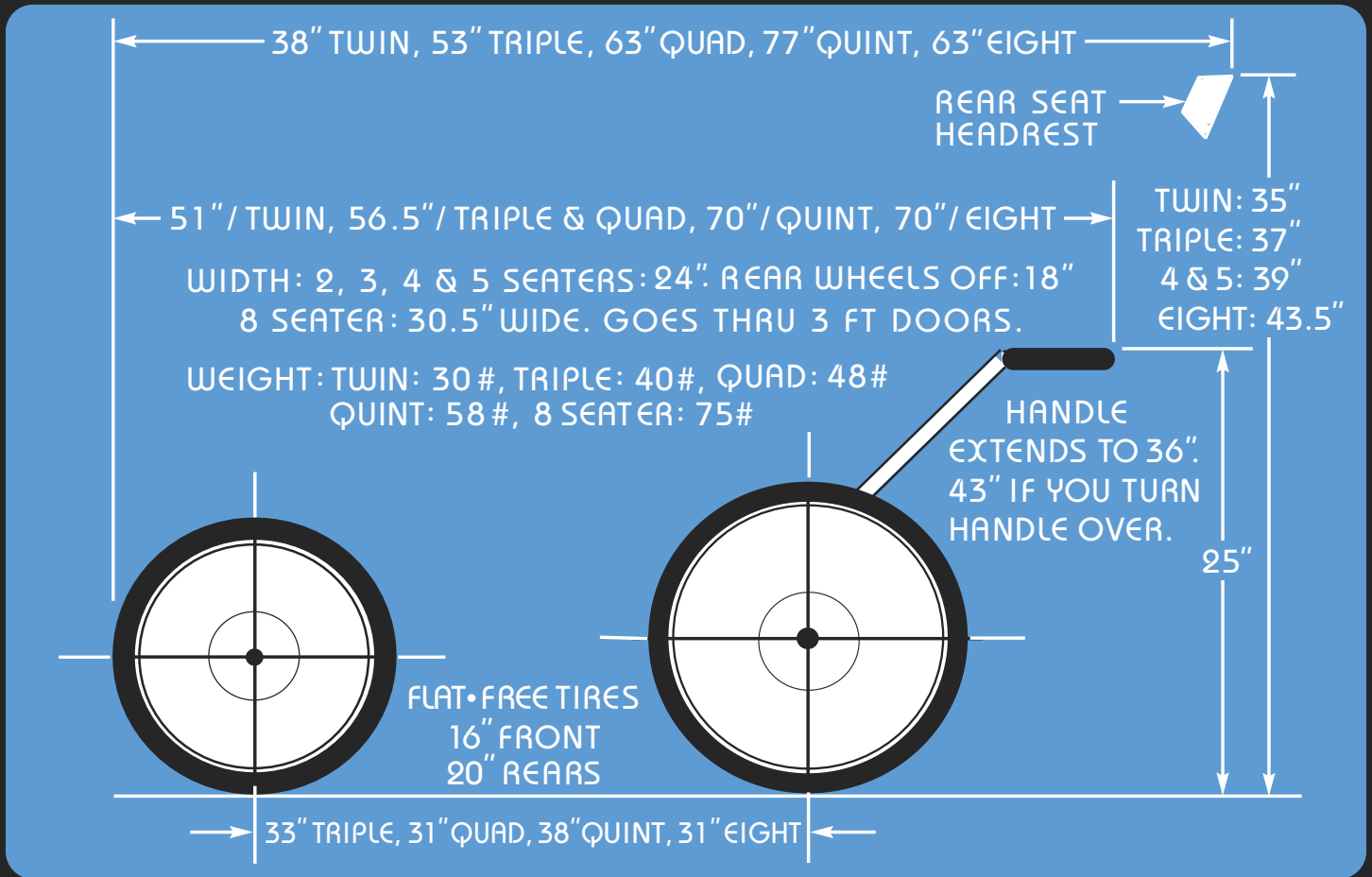


Dual Drum Brakes!

- 2024 4 x 8-Seater with it's Balanced Frame™ is Designed to Transport Four to Eight Kiddies.
- Comes with 8 Seats, but Install just the Ones you need! The Kart 'Grows' with Your Daycare!
- It's the most Versatile Kart on the Market! Many Seating Configurations. Holds 3 Seat Styles.
- 18" Resin Rear Wheels with Very Durable Airless Tires, Dual Drum Brakes, Parking Brake.
- 16" Resin Front Wheels and Airless Tires / Twenty Year Warranty / 4 Sealed Bearings.
- Hand Welded Strong Steel Frame. Polyester Resin Powder Painted / Titanium-Silver.
- 8-Seater Seats Feature Stadium Seating.™ Easier loading and unloading your Kiddies!
- Adjustable Tough Resin Seats 55 to 60 lb. rating. Reclines about the same as Infant Seat.
- Seat has a 3 pt. Harness, 2 pt. Lap Belt and Seat Pad. Padded Headrest Cover is Optional.
- Adjustable Handlebar / Tough Foam Grip. 2 Quick-Release Clamps, 2 Brake Levers.
- The Double Wide Quick-Release Basket is big enough to Carry 2 Loaded Shopping Bags.
- The New Molded Front Fenders have Footrests. Rear Seats have Footrests & Foot Tubes.
- Wrist Cord attaches to the Frame. Kart Operator Must 'Wear' around Wrist for Safety!
- 2024 8-Seater is 30.5" wide. Easily goes thru standard 3 ft. Doors. Very easy to steer!
- Runabouts will Last Over 20 Years! Truly Costs Less in the Long Run! Low Maintenance!

2024 RUNABOUTS: 'BEST-INVESTMENT!'

Weights & Measures:



Guinness World Record 10-Seater Stroller!

Filming TV Show... Note '1-hand' pushing!



"Quints by Surprise" ran on TLC for 3 seasons. 1st. show was Aug. 30, 2010.



Only Runabout Builds 5-Seater Strollers.

Runabouts 'Go Where You Want to Go!'



All 8 Seats Reclined to 30 Degree Angle.

Runabout: Your Ticket to Freedom!



8-Seater with 2nd. Row of Seats Removed!

Only Runabout Builds 5 & 6 X 8-Seaters!

“BEAUTY & THE BEAST!”



NO. OF SEATS: 6
KART/SUN CANOPY: 190 LBS.
SIX 50 LB. KIDDIES: 300 LBS.
TOTAL LBS: 490 LBS.

86” LONG X 31” WIDE.

‘SWIVEL’ FRONT WHEELS GO WHERE THEY WANT TO GO! REQUIRES YOU TO STEER A LOT! CAN BECOME HARD TO PUSH...

BALANCED FRAME™ TECHNOLOGY.
REAR WHEELS CARRY MOST OF WT.



NO. OF SEATS: 6*
KART/SUN CANOPY: 80 LBS.
SIX 50 LB. KIDDIES: 300 LBS.
TOTAL LBS: 380 LBS.

76” LONG X 30.5” WIDE.

*8-SEATER FRAME WITH 2 SEATS REMOVED. ‘CENTER’ SEATS CAN FACE FORWARD OR REARWARD...
‘GOOD 4 NEWBORNS!’

RUNABOUTS PUSH WITH 1 FINGER ON A LEVEL SIDEWALK...STEERS & MANEUVERS BEAUTIFULLY!

Cute Gaggle vs. Tough Runabout!

ONE CAREGIVER FOR 2 KIDS, TIL THE 8-SEATER ARRIVED!



8-Seater Costs Less/Seat... "Best Buy!"

36 YEARS